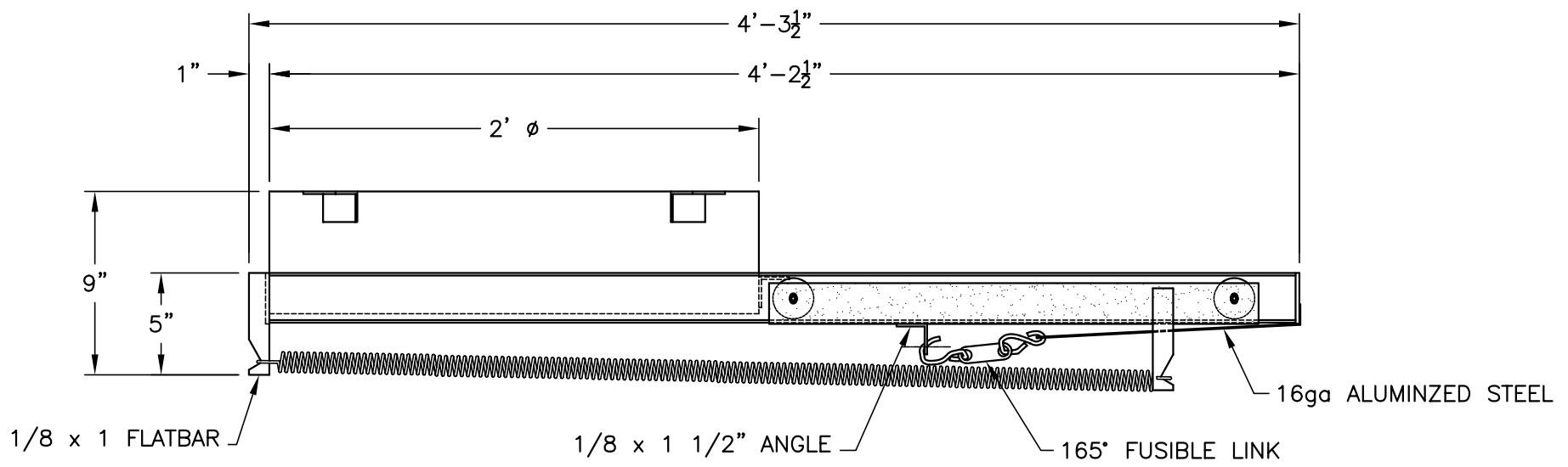


NOTE
 THIS DOOR IS NOT AN APPROVED FIRE-RATED DEVICE.
 IT MAY BE BUILT USING "B" LABEL CONSTRUCTION.
 THIS IS THE SAME TYPE OF CONSTRUCTION USED
 ON OUR UL APPROVED INTAKE DOORS.



DISCHARGE IN OPEN POSITION

VALIANT PRODUCTS, INC.		PH. (863) 688-7998	
P.O. Box 405 • Lakeland, FL 33802		FAX (863) 683-9749	
		LICENSE #CS C033741	
TITLE: 24"Ø HORIZ. ROLLING DISCHARGE DOOR		PROJECT: DISCHARGE, ROLLING 24" DIAMETER	
SIGNATURE	DATE		
DRAWN: SRM			
CHK'D:		DRAWING NO.	
APV'D:		24-DISC-ROLL	
SCALE: 1 1/2"=1'	DO NOT SCALE DRAWING	SHEET 1 of 1	