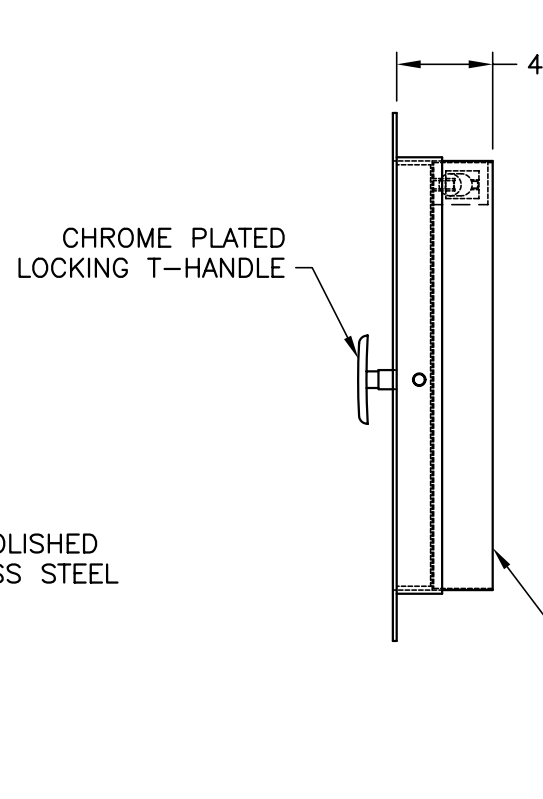
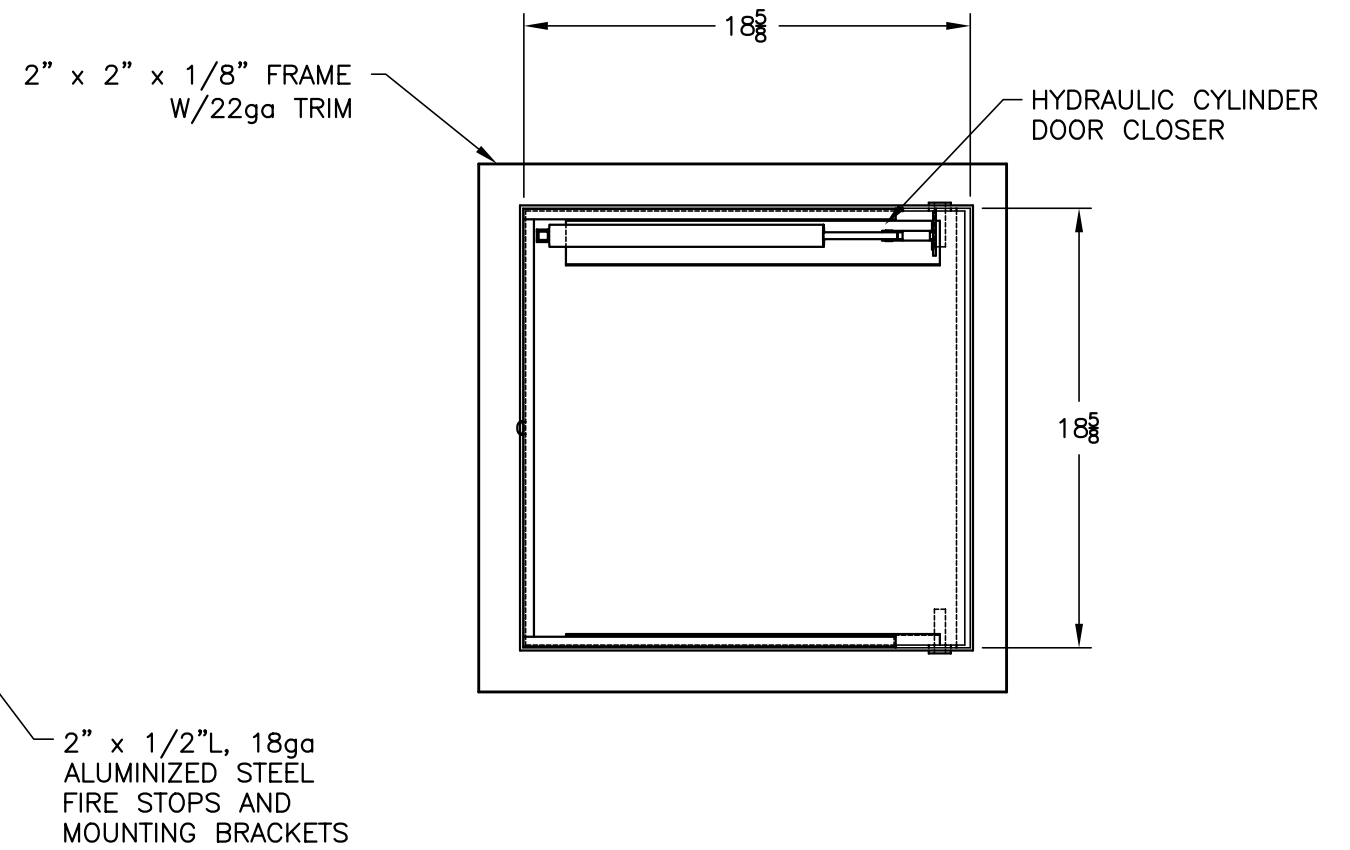


FRONT ELEVATION



SIDE VIEW



REAR ELEVATION

DOOR TO BE LEFT-HAND HINGED, HAND OPERATED, SELF CLOSING, 22 GA. STAINLESS STEEL INTAKE DOOR WITH STEEL ANGLE FRAME ASSY W/22 GA. TRIM U.L. "B" LABEL, 1 1/2 HR 250° 30 MIN TEMPERATURE RISE.

VALIANT PRODUCTS, INC. PH. (863) 688-7998
 P.O. Box 405 • Lakeland, FL 33802 FAX (863) 683-9749
 LICENSE #CS C033741

TITLE: 18"x18" SIDE HINGED INTAKE DOOR		PROJECT: DOOR - INTAKE 18" x 18" LH HINGED	
SIGNATURE	DATE	DRAWING NO. INTAKE-LH-18x18	REV.
DRAWN: SRM			
CHK'D:			
APV'D:		SCALE: 1 1/2"=1' DO NOT SCALE DRAWING SHEET 1 of 1	