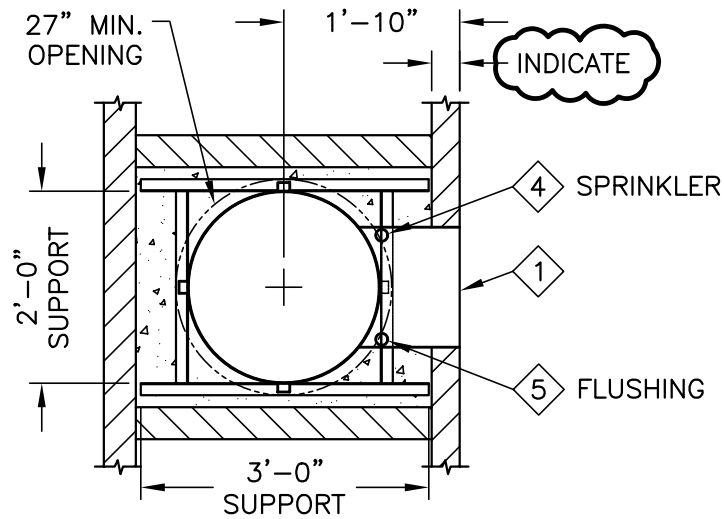


TO INSURE FLUSH DOOR INSTALLATION:

THE DISTANCE FROM THE CENTERLINE OF THE CHUTE OPENING TO THE FRONT OF FINISHED WALL MUST EQUAL THE DIMENSION SHOWN ON THE DRAWING. PLEASE VERIFY.



TYPICAL CHUTE SUPPORT

PLAN VIEW

SCALE: 1/2" = 1'-0"

FLOOR SLAB OPENING 27" SQ. OR ROUND
IF THE CHUTE IS TO BE INSTALLED IN A CHASE
PLEASE INDICATE SIZE: _____ x _____

**INTAKE WALL MUST BE INSTALLED
AFTER CHUTE.**