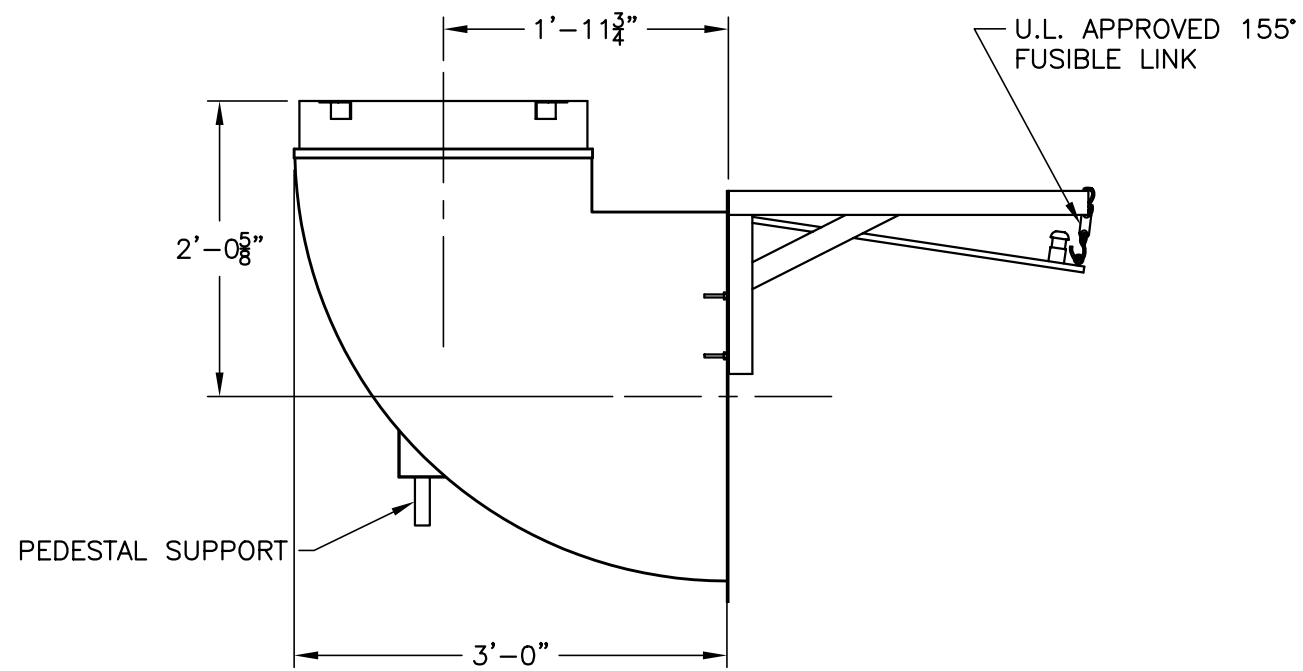
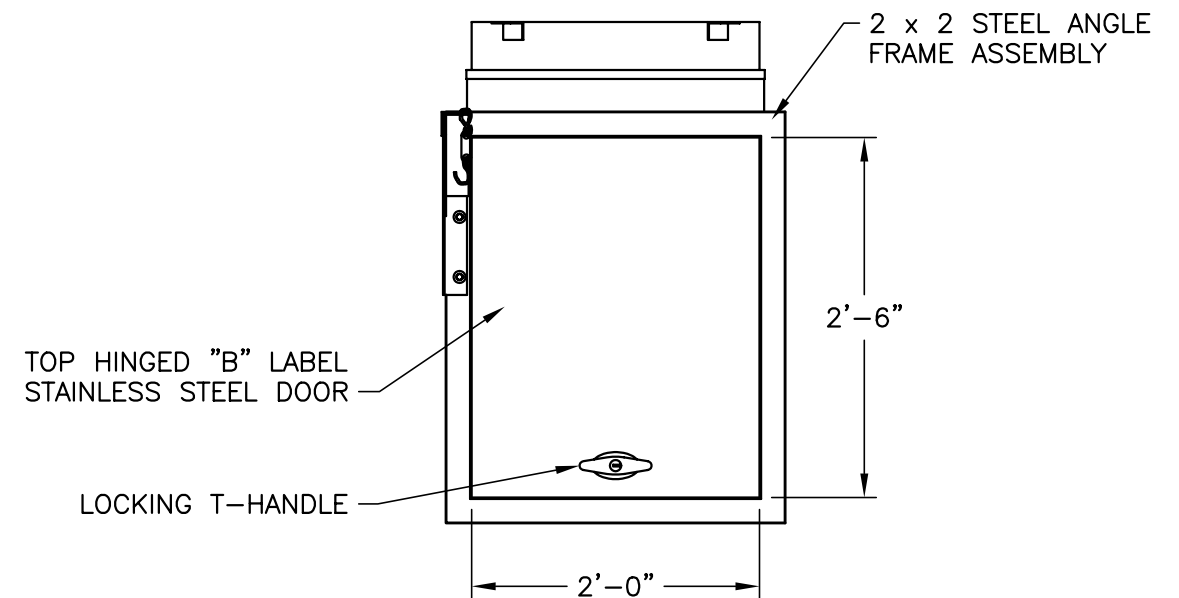


DOOR SHOWN IN OPEN POSITION



DOOR SHOWN IN OPEN POSITION



DOOR SHOWN IN CLOSED POSITION

VALIANT PRODUCTS, INC. PH. (863) 688-7998
 P.O. Box 405 • Lakeland, FL 33802 FAX (863) 683-9749
 LICENSE #CS C033741

TITLE: 24"Ø HOPPER DISCHARGE		PROJECT: DISCHARGE - HOPPER 24" DIAMETER W/ 24" x 30" DOOR	
SIGNATURE	DATE	DRAWING NO. 24-DISC-HOPP	REV.
DRAWN: SRM			
CHK'D:			
APV'D:			
SCALE: 3/4" = 1'		DO NOT SCALE DRAWING	
		SHEET 1 of 1	