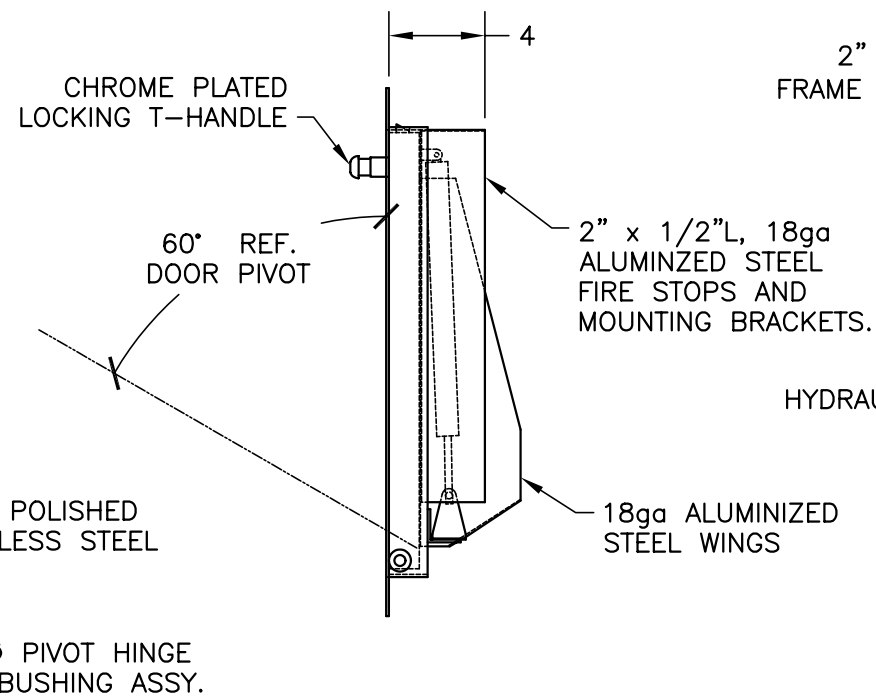
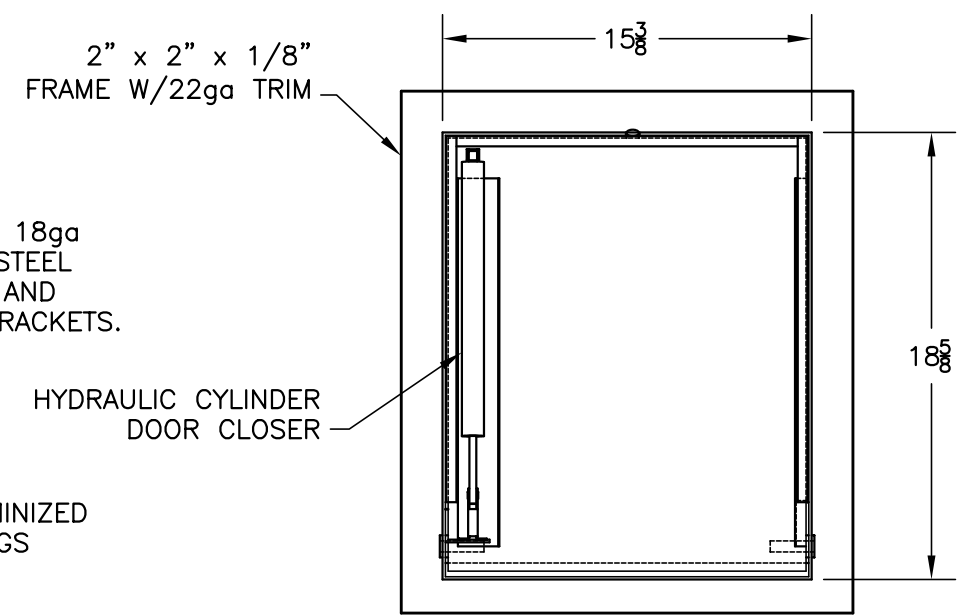


FRONT ELEVATION



SIDE VIEW



REAR ELEVATION

DOOR TO BE BOTTOM HINGED, HAND OPERATED, SELF CLOSING, 22 GA. STAINLESS STEEL INTAKE DOOR WITH STEEL ANGLE FRAME ASSY W/22 GA. TRIM. U.L. "B" LABEL, 1 1/2 HR 250° 30 MIN TEMPERATURE RISE.

VALIANT PRODUCTS, INC.		PH. (863) 688-7998	
P.O. Box 405 • Lakeland, FL 33802		FAX (863) 683-9749	
		LICENSE #CS C033741	
TITLE: 15"x18" BOTTOM HINGED INTAKE DOOR		PROJECT: DOOR - INTAKE 15" x 18" BOTTOM HINGED	
SIGNATURE	DATE		
DRAWN: SRM			
CHK'D:		DRAWING NO.	
APV'D:		INTAKE-BH-15x18	
SCALE: 1 1/2"=1'	DO NOT SCALE DRAWING	SHEET 1 of 1	